

## BH SERIES-PGI 1-0163

EAN 8422202101637



Injected grey rubber castors. Especially indicated to support loads up to 40 Kg (88lb).

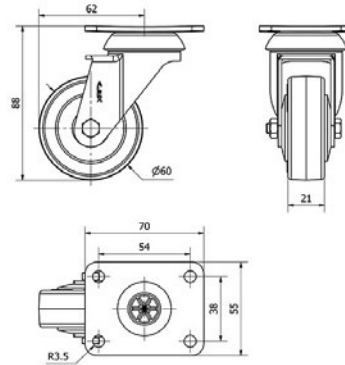
It is used in: supermarkets, display stands, furniture, stackable boxes, stools, display cabinets, clothes racks, catering carts, hospital equipment, clinical furniture and drips.

PGI: does not scratch or leave marks on floor. Noiseless.

### Technical Data

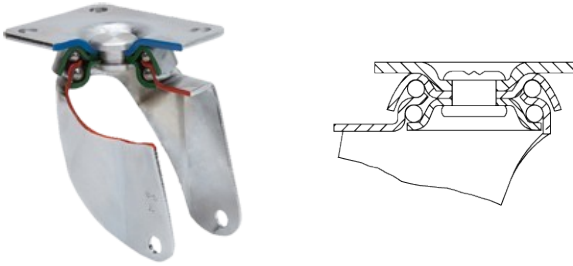
|                               |                      |
|-------------------------------|----------------------|
| Housing Type                  | <b>Swivel</b>        |
| Fitting Type                  | <b>Plate</b>         |
| Braking System                | <b>Without Brake</b> |
| Material                      | <b>Rubber</b>        |
| Bearing                       | <b>Plain</b>         |
| Diameter (mm)                 | <b>60</b>            |
| Width of tyre (mm)            | <b>21</b>            |
| Plate dimensions (mm)         | <b>70x55</b>         |
| Distance between holes (mm)   | <b>54x38</b>         |
| Plate hole diameter (mm)      | <b>6</b>             |
| Offset (mm)                   | <b>62</b>            |
| Overall height (mm)           | <b>88</b>            |
| Load                          | <b>40</b>            |
| Unit Weight of the wheel (kg) | <b>0.32</b>          |
| Volume (cm <sup>3</sup> )     | <b>469</b>           |

### CAD



To visualize the image with higher resolution and more technical details, please access to the CAD section

## Brackets



Made of pressed steel up to 2 mm. Finish: zinc-plated. Double ball bearing swivel head. Manufactured to European standards EN 12530.

## Wheel



Grey rubber tyre on polypropylene centre  
Temperature range: -20° ÷ +60°

|                        |           |
|------------------------|-----------|
| Rolling Resistance     | Good      |
| Noise during the march | Very Good |
| Floor Protection       | Very Good |