

## BH SERIES-PGI 1-0176

EAN 8422202101767



Injected grey rubber castors. Especially indicated to support loads up to 40 Kg (88lb).

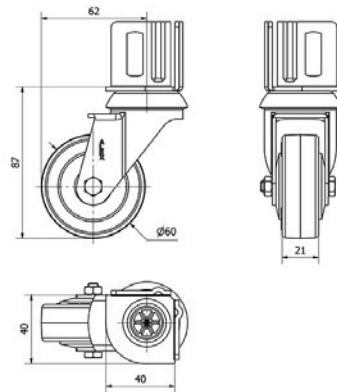
It is used in: supermarkets, display stands, furniture, stackable boxes, stools, display cabinets, clothes racks, catering carts, hospital equipment, clinical furniture and drips.

PGI: does not scratch or leave marks on floor. Noiseless.

### Technical Data

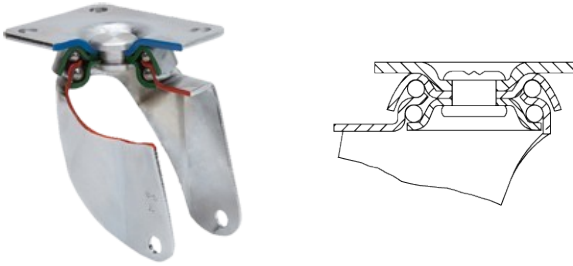
Housing Type	<b>Swivel</b>
Fitting Type	<b>For corners</b>
Braking System	<b>Without Brake</b>
Material	<b>Rubber</b>
Bearing	<b>Plain</b>
Diameter (mm)	<b>60</b>
Width of tyre (mm)	<b>21</b>
Plate dimensions (mm)	<b>40x40</b>
Plate hole diameter (mm)	<b>6</b>
Offset (mm)	<b>62</b>
Overall height (mm)	<b>85</b>
Load	<b>40</b>
Unit Weight of the wheel (kg)	<b>0.315</b>
Volume (cm <sup>3</sup> )	<b>543</b>

### CAD



To visualize the image with higher resolution and more technical details, please access to the CAD section

## Brackets



Made of pressed steel up to 2 mm. Finish: zinc-plated. Double ball bearing swivel head. Manufactured to European standards EN 12530.

## Wheel



Grey rubber tyre on polypropylene centre  
Temperature range: -20° ÷ +60°

Rolling Resistance	Good
Noise during the march	Very Good
Floor Protection	Very Good