

BH SERIES-PGI 1-0388

EAN 8422202103884



Injected grey rubber castors. Especially indicated to support loads up to 50kg (110lb).

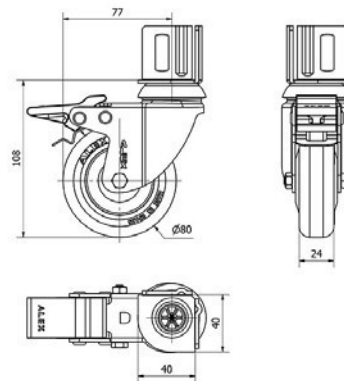
It is used in: supermarkets, display stands, furniture, stackable boxes, stools, display cabinets, clothes racks, catering carts, hospital equipment, clinical furniture and drips.

PGI: does not scratch or leave marks on floor. Noiseless.

Technical Data

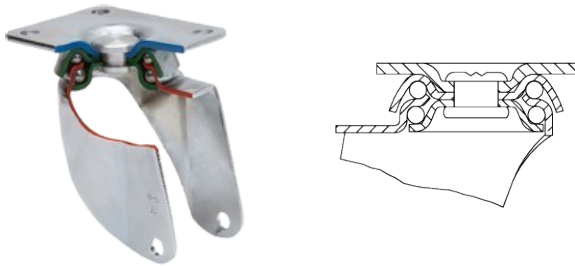
Housing Type	Swivel
Fitting Type	For corners
Braking System	Wheel Brake And Fork
Material	Rubber
Bearing	Plain
Diameter (mm)	80
Width of tyre (mm)	22
Plate dimensions (mm)	40x40
Plate hole diameter (mm)	6
Offset (mm)	77
Overall height (mm)	108
Load	50
Unit Weight of the wheel (kg)	0.495
Volume (cm ³)	950

CAD



To visualize the image with higher resolution and more technical details, please access to the CAD section

Brackets



Made of pressed steel up to 2 mm. Finish: zinc-plated. Double ball bearing swivel head. Manufactured to European standards EN 12530.

Similar products



1-0294

Wheel



Grey rubber tyre on polypropylene centre
Temperature range: -20° ÷ +60°

