

RD SERIES-Black RD 1-0528

EAN 8422202105284



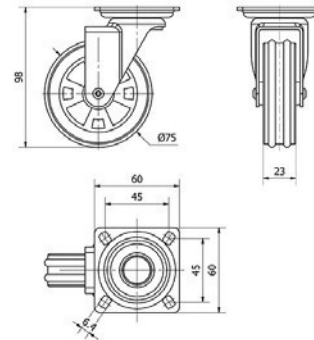
Our range of RD polyurethane design castors does not scratch the floor. Smooth tread.

It is used in: interior furniture, tables, auxiliary furniture, display stands, decoration, stackable boxes, display cabinets, stools, do-it-yourself shops, beauty and hairdresser's equipment, commercial spaces, interior design, fashion shops, design furniture and home.

Technical Data

Housing Type	Swivel
Fitting Type	Plate
Braking System	Without Brake
Material	Polycarbonate - Design
Bearing	Plain
Diameter (mm)	75
Width of tyre (mm)	23
Plate dimensions (mm)	60x60
Distance between holes (mm)	45x45
Plate hole diameter (mm)	6
Overall height (mm)	98
Load	40
Unit Weight of the wheel (kg)	0.3
Volume (cm ³)	559

CAD



To visualize the image with higher resolution and more technical details, please access to the CAD section

Brackets

Material: Pressed steel. Finish: polished chrome. Fitting Type: Swivel plate. Polyurethane-tyre on transparent acrylic centre. Colours: Red, yellow, orange, green, blue, black. Available with break.

Similar products



1-0534