

## ZVI SERIES-UT 2-1325

EAN 8422202213255



White polypropylene castors with stainless steel (AISI 304) components. Especially indicated to support high-loads up to 130kg (286lb).

It is used in: outdoor areas, food trolleys, canteens, dining rooms, restaurants, food industry, logistics for military missions material, packaging machines, conveyor belts, stainless steel constructions, light machinery for the construction, containers, roll containers, transport cages, poultry farms, chemical industry, bakery machines, food chains, fridges, freezer cabinets and freezers.

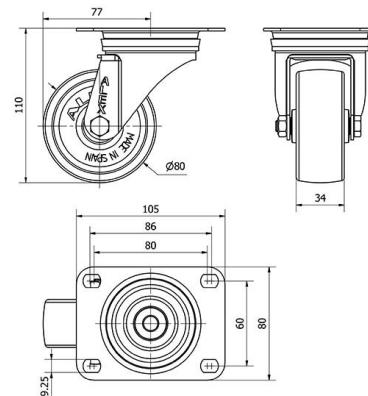
Suitable for mechanical engineering projects by craftsmen and project executors.

UT: undeformable and resistant. Easy to start and move.

### Technical Data

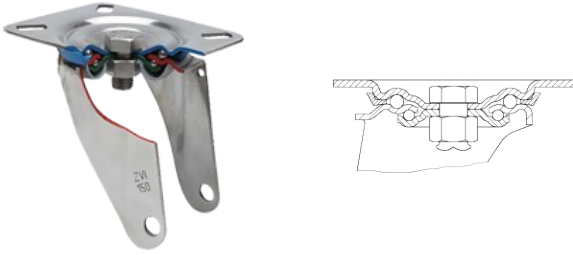
Housing Type	<b>Swivel</b>
Fitting Type	<b>Plate</b>
Braking System	<b>Without Brake</b>
Material	<b>Polypropylene</b>
Bearing	<b>Plain</b>
Diameter (mm)	<b>80</b>
Width of tyre (mm)	<b>34</b>
Plate dimensions (mm)	<b>105x80</b>
Distance between holes (mm)	<b>86/80x60</b>
Plate hole diameter (mm)	<b>8</b>
Offset (mm)	<b>77</b>
Overall height (mm)	<b>110</b>
Load	<b>130</b>
Unit Weight of the wheel (kg)	<b>0.52</b>
Volume (cm <sup>3</sup> )	<b>1140</b>

### CAD



To visualize the image with higher resolution and more technical details, please access to the CAD section

## Brackets



Made of high-quality pressed stainless steel (AISI 304) up to 3 mm. Bracket made completely of stainless steel, corrosion-free, resistant to petrol, diesel, oils and grease. Manufactured to European standards EN 12530/12532.

## Similar products



2-1326



2-2414

## Wheel



White Polypropylene wheel

Temperature range: -20° ÷ +60°

Rolling Resistance Very Good



Noise during the march Reasonable



Floor Protection Reasonable

