

## BH SERIES-PGI 2-2459

EAN 8422202224596



Injected grey rubber castors. Especially indicated to support loads up to 60kg (132lb).

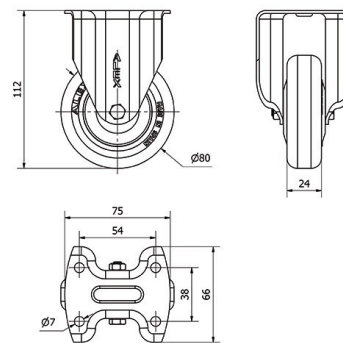
It is used in: supermarkets, display stands, furniture, stackable boxes, stools, display cabinets, clothes racks, catering carts, hospital equipment, clinical furniture and drips.

PGI: does not scratch or leave marks on floor. Noiseless.

### Technical Data

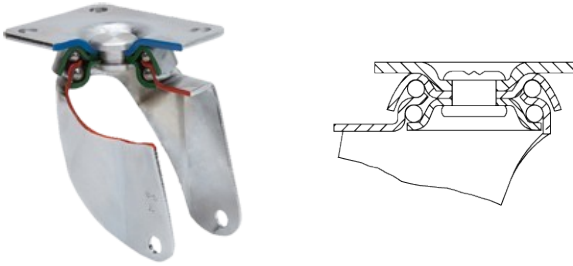
Housing Type	<b>Fixed</b>
Fitting Type	<b>Plate</b>
Braking System	<b>Without Brake</b>
Material	<b>Rubber</b>
Bearing	<b>Plain</b>
Diameter (mm)	<b>80</b>
Width of tyre (mm)	<b>22</b>
Plate dimensions (mm)	<b>75x66</b>
Distance between holes (mm)	<b>54x38</b>
Plate hole diameter (mm)	<b>6</b>
Overall height (mm)	<b>112</b>
Load	<b>60</b>
Unit Weight of the wheel (kg)	<b>0.3</b>
Volume (cm <sup>3</sup> )	<b>591</b>

### CAD



To visualize the image with higher resolution and more technical details, please access to the CAD section

## Brackets



Made of pressed steel up to 2 mm. Finish: zinc-plated. Double ball bearing swivel head. Manufactured to European standards EN 12530.

## Similar products



1-0180



1-0386

## Wheel



Grey rubber tyre on polypropylene centre  
Temperature range: -20° ÷ +60°

