

HP SERIES-Grey PGI 2-3322

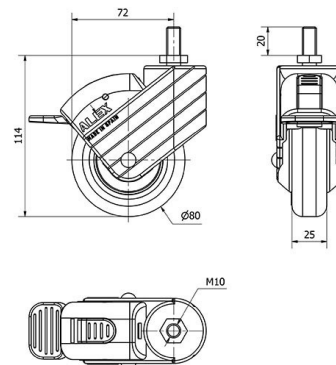
EAN 8422202233222



Technical Data

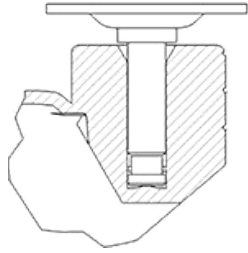
Housing Type	Swivel
Fitting Type	Stem
Braking System	Wheel Brake
Material	Rubber
Bearing	Plain
Diameter (mm)	80
Width of tyre (mm)	25
Width x height of stem	10x20
Offset (mm)	72
Overall height (mm)	114
Load	40
Unit Weight of the wheel (kg)	0.22
Volume (cm ³)	770

CAD



To visualize the image with higher resolution and more technical details, please access to the CAD section

Brackets



Made of reinforced polyamide Casing with flushed recess for the rounded ergonomic brake Manufactured to European Standard EN 12528

Similar products



2-3319



2-3320



2-3321

Wheel



Grey rubber tyre on polypropylene centre
Temperature range: -20° ÷ +60°

Rolling Resistance Good



Noise during the march Very Good



Floor Protection Very Good

