

## HP SERIES-Grey PGI 2-3326

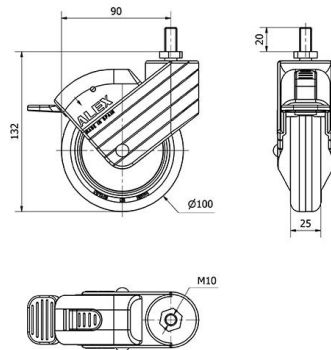
EAN 8422202233260



### Technical Data

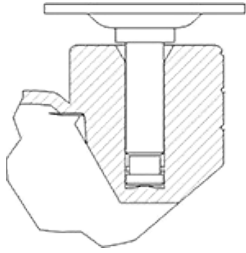
Housing Type	Swivel
Fitting Type	Stem
Braking System	Wheel Brake
Material	Rubber
Bearing	Plain
Diameter (mm)	100
Width of tyre (mm)	25
Width x height of stem	10x20
Offset (mm)	90
Overall height (mm)	132
Load	40
Unit Weight of the wheel (kg)	0.3
Volume (cm <sup>3</sup> )	986

### CAD



To visualize the image with higher resolution and more technical details, please access to the CAD section

## Brackets



Made of reinforced polyamide Casing with flushed recess for the rounded ergonomic brake Manufactured to European Standard EN 12528

## Similar products



2-3323



2-3324



2-3325

## Wheel



Grey rubber tyre on polypropylene centre  
Temperature range: -20° ÷ +60°

Rolling Resistance Good



Noise during the march Very Good



Floor Protection Very Good

